



TABLE OF CONTENTS

| | |
|---|-----------|
| 1 - General Information | 3 |
| 1.1 Description of LED Light Sources | 3 |
| 1.2 Standards and Reference Documentations | 4 |
| 1.3 Testing Equipment | 5 |
| 1.4 Drive Level | 5 |
| 1.5 Ambient Conditions for Maintenance Test | 5 |
| 1.6 Photometric Measurement Method and Uncertainty..... | 5 |
| 1.7 Statement of Traceability | 5 |
| 1.8 Sample Set..... | 6 |
| 2 - Summary of Test Result | 7 |
| 3 - Test Data | 8 |
| 3.1 Data Set 1, 55°C, 150mA (Lumen Maintenance)..... | 8 |
| 3.2 Data Set 1, 55°C, 150mA (Forward Voltage)..... | 9 |
| 3.3 Data Set 1, 55°C, 150mA (Chromaticity Shift) | 10 |
| 3.4 Data Set 2, 105°C, 150mA (Lumen Maintenance) | 11 |
| 3.5 Data Set 2, 105°C, 150mA (Forward Voltage)..... | 12 |
| 3.6 Data Set 2, 105°C, 150mA (Chromaticity Shift)..... | 13 |
| 4 - DUT Photo | 14 |
| 4.1 Mechanical Dimensions | 14 |
| 4.2 DUT Photo..... | 14 |
| Directions | 15 |



1 - General Information

1.1 Description of LED Light Sources

Sample Size:

50 PCS test samples were in good condition and received on 2020-12-03. The samples were numbered from 1 to 25 and 26 to 50.

| | |
|---------------------------------------|---|
| Manufacturer: | Hongli Zhihui Group Co.,Ltd. Guangzhou Branch |
| Part Number: | HL-AS-3030HW-2C-S1-08L-PCT-HR3(R9) |
| Part Type: | LED Package |
| #Drive Level: | DC 150mA |
| #Nominal CCT: | 2700K |
| #Power: | 0.99W |
| #Average Current Density per LED die: | 1033.343mA/mm ² |
| #Average Power Density per LED die: | 3.410W/mm ² |
| #CRI: | 80 |
| #Die Spacing: | 0.15mm |

Sampling Method:

LED samples for IESNA LM-80 testing consist of units built from a minimum of three manufacturing lots with each manufacturing lot built from different wafer lots built on non-consecutive days.

These manufacturing lots are picked to represent a wide parametric distribution.

Family products covered by this report:

According to *ENERGY STAR® Requirements for the Use of LM-80 Data*, the following products can be covered by this report base on the information and declaration provided by manufacturer. The information of these models shows that the covered products meet all section 4 requirements of *ENERGY STAR® Requirements for the Use of LM-80 Data* (September 28, 2017)

This report covers the following models:

| Model type | Model name | CRI (typ.) | CCT (typ.) | Series | Parallel | Power density (W/mm ²) | Current density per LED die (mA/mm ²) | Current per die (mA) | Distance between of dies(mm) | Current (mA) |
|----------------|---|------------|------------|--------|----------|------------------------------------|---|----------------------|------------------------------|--------------|
| Test model | HL-AS-3030H466W-2C-S1-08L-PCT-HR3(R9) | 80 | 2700K | 2 | 1 | 0.11 | 1033.343 | 150 | 0.15 | 150 |
| Multiple model | HL-AS-3030HW-2C-S1-08L-PCT-HR3(R9) | 80 | 2700K | 2 | 1 | 0.11 | 1033.343 | 150 | 0.15 | 150 |
| Multiple model | HL-**-3030H***W-2C-S1-08*-PCT-HR3(R9)-*** | 80 | 2200-6500K | 2 | 1 | 0.11 | 1033.343 | 150 | 0.15 | 150 |
| Multiple model | HL-**-3030H***W-2C-S1-08*-PCT-HR3-*** | 80 | 2200-6500K | 2 | 1 | 0.11 | 1033.343 | 150 | 0.15 | 150 |
| Multiple model | HL-**-3030D***W-2C-S1-08*-PCT-HR3(R9)-*** | | | | | | | | | |



1.3 Testing Equipment

| Device | Manufacture | Model No | Serial No | Calibration date | Calibration due date |
|---|----------------|-------------|------------------|------------------|----------------------|
| High Accuracy Array Spectroradiometer | EVERFINE | HAAS 2000 | P600674CM5391140 | 2020-10-22 | 2021-10-21 |
| 0.5M Integrating Sphere | EVERFINE | 0.5m | NA | 2020-10-22 | 2021-10-21 |
| LED Test Source | EVERFINE | LTS-300 | P185616CJ1391143 | 2020-10-21 | 2021-10-20 |
| Standard Light Source | EVERFINE | D062 | 1011093 | 2020-10-20 | 2021-10-19 |
| Multilayer aging machine | BACL | B2-270 | 20005 | 2021-02-24 | 2022-02-23 |
| Program-controlled D.C. Stabilized Voltage Supply | Hanshenpu yuan | HSPY-200-01 | N/A | 2021-06-30 | 2022-06-29 |

1.4 Drive Level

Samples are driven with a constant direct current (DC) during maintenance test, photometric and electrical measurement. The current value was regulated to within $\pm 3\%$ of the specified value of the manufacturer during maintenance test, and was within $\pm 0.5\%$ during photometric and electrical measurement test.

1.5 Ambient Conditions for Maintenance Test

For lumen maintenance test, samples within one data set, were installed on cooling boards in thermal chambers with minimal ambient airflow. The case temperature and ambient temperature was monitored by thermocouples which one was soldered to the _{LED} location, while the other is mounted at a distance of 5 mm above the TMP location.

During life testing, TMP_{LED} of the coldest LEDs were maintained at a temperature that was greater than or equal to $2^{\circ}C$ below the corresponding nominal case temperature. Surrounding air was maintained at a temperature that was greater than or equal to $5^{\circ}C$ below the corresponding nominal case temperature. Thermocouples were shielded from direct DUT optical radiation and comply with

Samples were connected to DC power supply in series circuits with a constant current. The forward current was regulated to within $\pm 3\%$ of the specified value of the manufacturer.

The relative humidity within chamber was kept less than 65% during test.

For photometry measurement, the ambient temperature during test was set to $25^{\circ}C \pm 2^{\circ}C$, RH <65%.

1.6 Photometric Measurement Method and Uncertainty

Integrating sphere and spectroradiometer is used to measure luminous flux and chromaticity coordinate u_v . 2 measurement was used and sample was driven by DC power supply. The forward current was regulated to within $\pm 0.5\%$ of the nominal value. The test system was calibrated by halogen reference lamp. The ambient temperature during test was set to $25^{\circ}C \pm 2^{\circ}C$, RH <65%. The temperature measurement point was located in the sphere and the temperature was detected by a temperature probe.

The uncertainty of the light output measurements is $U=1.59\%$ ($K=2$), at the 95% confidence level. The uncertainty of the correlated color temperature measurements is $U=21K$ ($K=2$), at the 95% confidence level.

The uncertainty of the temperature is $U=0.8671^{\circ}C$ ($K=2$), at the 95% confidence level.

1.7 Statement of Traceability

Bay Area Compliance Laboratories Corp. (Dongguan) attested that all calibration has been performed using suitable standards traceable to National Primary Standards and International System of Units (SI).



1.8 Sample Set

Data Set 1: 55°C, 150mA

Part Number: HL-AS-3030HW-2C-S1-08L-PCT-HR3(R9)
Number of Units: 25
Case Temperature: >53°C
Ambient Temperature: >50°C
Life Test Drive Current: 150mA
Measurement Current: 150mA

Data Set 2: 105°C, 150mA

Part Number: HL-AS-3030HW-2C-S1-08L-PCT-HR3(R9)
Number of Units: 25
Case Temperature: >103°C
Ambient Temperature: >100°C
Life Test Drive Current: 150mA
Measurement Current: 150mA

FURNAL



2 - Summary of Test Result

| Data Set: | Sample Size | Failures Observed: | Test Interval | Test Duration | | | Reported TM-21 L ₇₀ Lifetime |
|-----------|-------------|--------------------|---------------|---------------|-----------|-------|---|
| 1 | 25 | 0 | 1000hrs | 6000hrs | 2.334E-06 | 1.006 | >36000 hours |
| 2 | 25 | 0 | 1000hrs | 6000hrs | 2.755E-06 | 1.005 | >36000 hours |

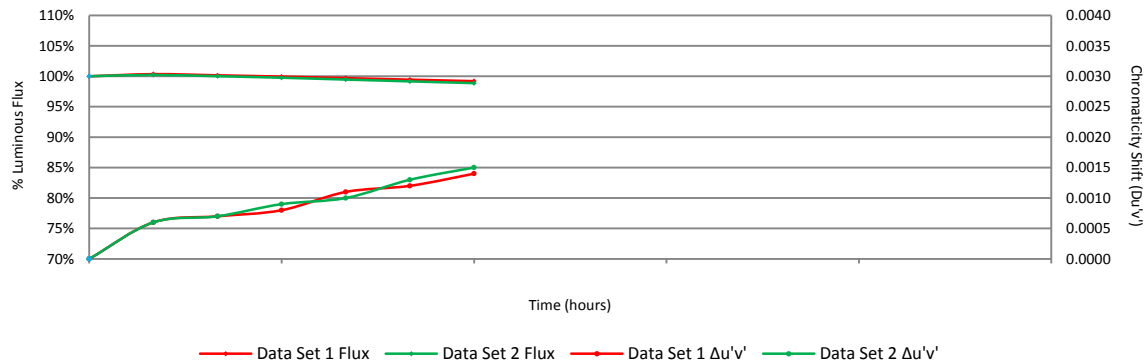
Average Lumen Maintenance (Percentage of Initial Luminous Flux)

| Data Set: | 1000hrs | 2000hrs | 3000hrs | 4000hrs | 5000hrs | 6000hrs |
|-----------|---------|---------|---------|---------|---------|---------|
| 1 | 100.35% | 100.16% | 99.94% | 99.70% | 99.44% | 99.20% |
| 2 | 100.22% | 100.01% | 99.76% | 99.46% | 99.16% | 98.87% |

Average Chromaticity Shift

| Data Set: | 1000hrs | 2000hrs | 3000hrs | 4000hrs | 5000hrs | 6000hrs |
|-----------|---------|---------|---------|---------|---------|---------|
| 1 | 0.0006 | 0.0007 | 0.0008 | 0.0011 | 0.0012 | 0.0014 |
| 2 | 0.0006 | 0.0007 | 0.0009 | 0.0010 | 0.0013 | 0.0015 |

Average Lumen Maintenance and Chromaticity Shift VS. Time





3 - Test Data

3.1 Data Set 1, 55°C, 150mA (Lumen Maintenance)

| No. | Lumen Maintenance (%) | | | | | | |
|-----|-----------------------|---------|---------|---------|---------|---------|---------|
| | 0hr(Initial) | 1000hrs | 2000hrs | 3000hrs | 4000hrs | 5000hrs | 6000hrs |
| 1 | 111.70 | 100.09 | 99.73 | 99.55 | 99.46 | 99.19 | 98.93 |
| 2 | 112.50 | 100.18 | 100.09 | 99.82 | 99.56 | 99.38 | 99.11 |
| 3 | 112.40 | 100.36 | 100.18 | 99.91 | 99.38 | 99.11 | 98.84 |
| 4 | 111.10 | 100.18 | 100.09 | 99.91 | 99.64 | 99.28 | 98.92 |
| 5 | 111.20 | 100.45 | 100.18 | 100.09 | 99.73 | 99.37 | 99.19 |
| 6 | 110.80 | 100.54 | 100.45 | 100.36 | 100.18 | 99.91 | 99.55 |
| 7 | 112.00 | 100.27 | 100.18 | 99.91 | | | |

FINAL



3.2 Data Set 1, 55°C, 150mA (Forward Voltage)

| No. | Forward Voltage (V) | | | | | | |
|--------|---------------------|---------|---------|---------|---------|---------|---------|
| | 0hr(Initial) | 1000hrs | 2000hrs | 3000hrs | 4000hrs | 5000hrs | 6000hrs |
| 1 | 6.211 | 6.211 | 6.203 | 6.213 | 6.200 | 6.204 | 6.204 |
| 2 | 6.184 | 6.184 | 6.169 | 6.199 | 6.176 | 6.173 | 6.175 |
| 3 | 6.171 | 6.169 | 6.167 | 6.188 | 6.168 | 6.183 | 6.199 |
| 4 | 6.196 | 6.196 | 6.190 | 6.209 | 6.194 | 6.209 | 6.203 |
| 5 | 6.167 | 6.175 | 6.167 | 6.184 | 6.165 | 6.175 | 6.184 |
| 6 | 6.157 | 6.207 | 6.165 | 6.171 | 6.161 | 6.171 | 6.179 |
| 7 | 6.171 | 6.173 | 6.167 | 6.181 | 6.169 | 6.175 | 6.173 |
| 8 | 6.167 | 6.167 | 6.165 | 6.175 | 6.166 | 6.167 | 6.176 |
| 9 | 6.173 | 6.186 | 6.173 | 6.184 | 6.173 | 6.177 | 6.186 |
| 10 | 6.194 | 6.186 | 6.186 | 6.201 | 6.188 | 6.187 | 6.179 |
| 11 | 6.171 | 6.186 | 6.165 | 6.208 | 6.170 | 6.183 | 6.171 |
| 12 | 6.190 | 6.196 | 6.184 | 6.208 | 6.188 | 6.206 | 6.204 |
| 13 | 6.142 | 6.142 | 6.136 | 6.162 | 6.142 | 6.150 | 6.172 |
| 14 | 6.171 | 6.167 | 6.163 | 6.176 | 6.169 | 6.172 | 6.178 |
| 15 | 6.182 | 6.192 | 6.178 | 6.181 | 6.180 | 6.188 | 6.182 |
| 16 | 6.165 | 6.173 | 6.161 | 6.187 | 6.166 | 6.187 | 6.183 |
| 17 | 6.155 | 6.157 | 6.157 | 6.167 | 6.155 | 6.165 | 6.152 |
| 18 | 6.167 | 6.175 | 6.171 | 6.205 | 6.169 | 6.185 | 6.163 |
| 19 | 6.148 | 6.146 | 6.146 | 6.166 | 6.149 | 6.159 | 6.150 |
| 20 | 6.153 | 6.159 | 6.157 | 6.171 | 6.161 | 6.167 | 6.164 |
| 21 | 6.171 | 6.165 | 6.165 | 6.187 | 6.162 | 6.178 | 6.171 |
| 22 | 6.165 | 6.165 | 6.163 | 6.177 | 6.170 | 6.177 | 6.161 |
| 23 | 6.165 | 6.169 | 6.169 | 6.176 | 6.177 | 6.174 | 6.173 |
| 24 | 6.169 | 6.167 | 6.169 | 6.174 | 6.179 | 6.175 | 6.168 |
| 25 | 6.161 | 6.161 | 6.165 | 6.179 | 6.169 | 6.170 | 6.166 |
| Avg. | 6.171 | 6.175 | 6.168 | 6.185 | 6.171 | 6.178 | 6.177 |
| Med. | 6.169 | 6.173 | 6.167 | 6.181 | 6.169 | 6.175 | 6.175 |
| st dev | 0.016 | 0.017 | 0.013 | 0.015 | 0.013 | 0.014 | 0.015 |
| Min. | 6.142 | 6.142 | 6.136 | 6.162 | 6.142 | 6.150 | 6.150 |
| Max. | 6.211 | 6.211 | 6.203 | 6.213 | 6.200 | 6.209 | 6.204 |



3.3 Data Set 1, 55°C, 150mA (Chromaticity Shift)

| No. | | | CCT(K) | | | | | | |
|--------|--------------|--------|--------|---------|---------|---------|---------|---------|---------|
| | Ohr(Initial) | | | 1000hrs | 2000hrs | 3000hrs | 4000hrs | 5000hrs | 6000hrs |
| 1 | 0.2608 | 0.5325 | 2715 | 0.0007 | 0.0008 | 0.0010 | 0.0012 | 0.0015 | 0.0018 |
| 2 | 0.2595 | 0.5317 | 2745 | 0.0006 | 0.0006 | 0.0008 | 0.0011 | 0.0013 | 0.0015 |
| 3 | 0.2618 | 0.5329 | 2694 | 0.0006 | 0.0007 | 0.0008 | 0.0011 | 0.0014 | 0.0016 |
| 4 | 0.2596 | 0.5330 | 2736 | 0.0006 | 0.0006 | 0.0007 | 0.0011 | 0.0012 | 0.0013 |
| 5 | 0.2608 | 0.5320 | 2717 | 0.0007 | 0.0008 | 0.0011 | 0.0013 | 0.0015 | 0.0016 |
| 6 | 0.2603 | 0.5316 | 2727 | 0.0006 | 0.0007 | 0.0009 | 0.0009 | 0.0011 | 0.0013 |
| 7 | 0.2592 | 0.5330 | 2746 | 0.0005 | 0.0007 | 0.0007 | 0.0010 | 0.0013 | 0.0015 |
| 8 | 0.2607 | 0.5327 | 2716 | 0.0005 | 0.0008 | 0.0009 | 0.0013 | 0.0014 | 0.0017 |
| 9 | 0.2593 | 0.5326 | 2745 | 0.0004 | 0.0007 | 0.0007 | 0.0011 | 0.0013 | 0.0015 |
| 10 | 0.2606 | 0.5322 | 2720 | 0.0005 | 0.0006 | 0.0008 | 0.0010 | 0.0011 | 0.0014 |
| 11 | 0.2602 | 0.5325 | 2727 | 0.0007 | 0.0007 | 0.0011 | 0.0009 | 0.0011 | 0.0013 |
| 12 | 0.2596 | 0.5324 | 2740 | 0.0006 | 0.0008 | 0.0008 | 0.0011 | 0.0012 | 0.0015 |
| 13 | 0.2597 | 0.5313 | 2743 | 0.0006 | 0.0008 | 0.0009 | 0.0010 | 0.0011 | 0.0012 |
| 14 | 0.2600 | 0.5322 | 2733 | 0.0006 | 0.0007 | 0.0010 | 0.0011 | 0.0014 | 0.0016 |
| 15 | 0.2611 | 0.5336 | 2704 | 0.0006 | 0.0007 | 0.0009 | 0.0012 | 0.0014 | 0.0015 |
| 16 | 0.2581 | 0.5332 | 2768 | 0.0005 | 0.0007 | 0.0007 | 0.0011 | 0.0013 | 0.0015 |
| 17 | 0.2594 | 0.5326 | 2742 | 0.0005 | 0.0007 | 0.0008 | 0.0009 | 0.0011 | 0.0013 |
| 18 | 0.2592 | 0.5329 | 2746 | 0.0006 | 0.0008 | 0.0007 | 0.0012 | 0.0013 | 0.0016 |
| 19 | 0.2595 | 0.5315 | 2745 | 0.0006 | 0.0006 | 0.0007 | 0.0011 | 0.0013 | 0.0015 |
| 20 | 0.2587 | 0.5325 | 2758 | 0.0004 | 0.0005 | 0.0005 | 0.0008 | 0.0009 | 0.0011 |
| 21 | 0.2585 | 0.5330 | 2760 | 0.0005 | 0.0005 | 0.0005 | 0.0009 | 0.0010 | 0.0011 |
| 22 | 0.2595 | 0.5332 | 2738 | 0.0006 | 0.0006 | 0.0007 | 0.0009 | 0.0009 | 0.0012 |
| 23 | 0.2598 | 0.5320 | 2738 | 0.0005 | 0.0006 | 0.0009 | 0.0011 | 0.0013 | 0.0014 |
| 24 | 0.2610 | 0.5315 | 2715 | 0.0005 | 0.0007 | 0.0007 | 0.0012 | 0.0013 | 0.0016 |
| 25 | 0.2603 | 0.5321 | 2725 | 0.0005 | 0.0005 | 0.0007 | 0.0011 | 0.0014 | 0.0015 |
| Avg. | 0.2599 | 0.5324 | 2734 | 0.0006 | 0.0007 | 0.0008 | 0.0011 | 0.0012 | 0.0014 |
| Med. | 0.2597 | 0.5325 | 2738 | 0.0006 | 0.0007 | 0.0008 | 0.0011 | 0.0013 | 0.0015 |
| st dev | 0.0009 | 0.0006 | 18 | | | | | | |



3.5 Data Set 2, 105°C, 150mA (Forward Voltage)

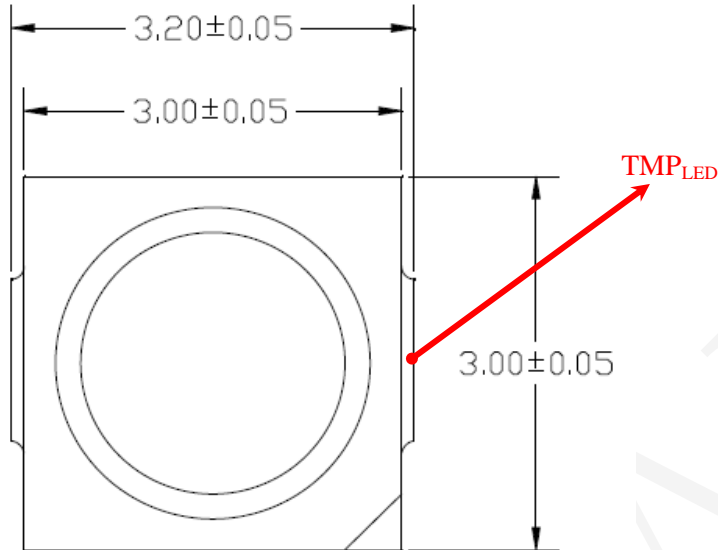
| No. | Forward Voltage (V) | | | | | | |
|-----|---------------------|---------|---------|---------|---------|---------|---------|
| | 0hr(Initial) | 1000hrs | 2000hrs | 3000hrs | 4000hrs | 5000hrs | 6000hrs |
| 26 | 6.146 | 6.150 | 6.148 | 6.155 | 6.162 | 6.166 | 6.168 |
| 27 | 6.167 | 6.167 | 6.165 | 6.177 | 6.179 | 6.183 | 6.180 |

FUNNIAL

FINAL

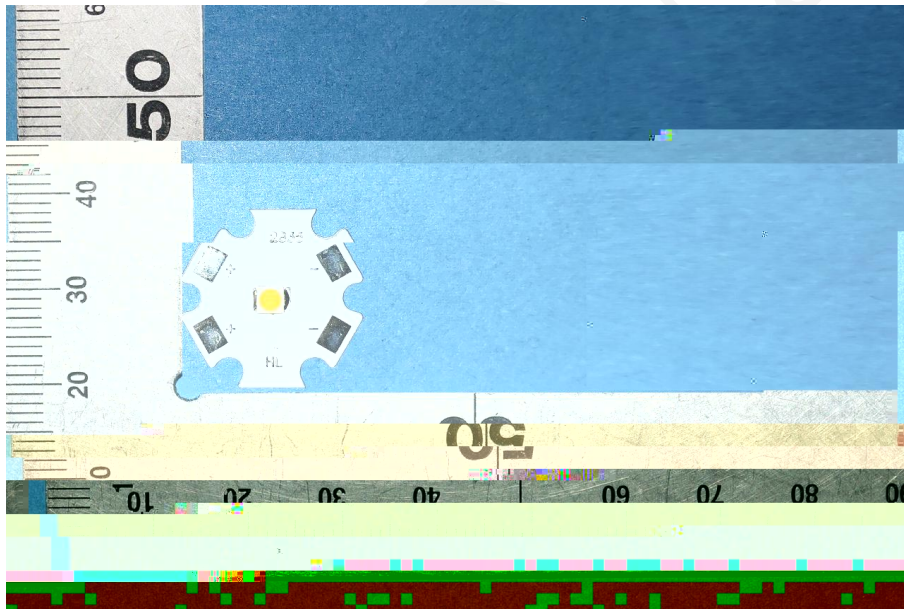
4 - DUT Photo

4.1 Mechanical Dimensions



All dimensions are in millimeter

4.2 DUT Photo





Directions

1. The information marked “superscript #” is provided by the applicant, the laboratory is not responsible for its authenticity and this information can affect the validity of the result in the test report.
2. Unless otherwise stated the results shown in this test report refer only to the sample(s) tested.
3. Otherwise required by the applicant or Product Regulations, Decision Rule in this report did not consider the uncertainty.
4. The extended uncertainty given in this report is obtained by combining the standard uncertainty times the coverage factor K with the 95% confidence interval.
5. This report cannot be reproduced except in full, without prior written approval of the Company.
6. This report is valid only with a valid digital signature. The digital signature may be available only under the Adobe software above version 7.0.

*****END OF REPORT*****